

Diaphragm Valves PN10/145PSI

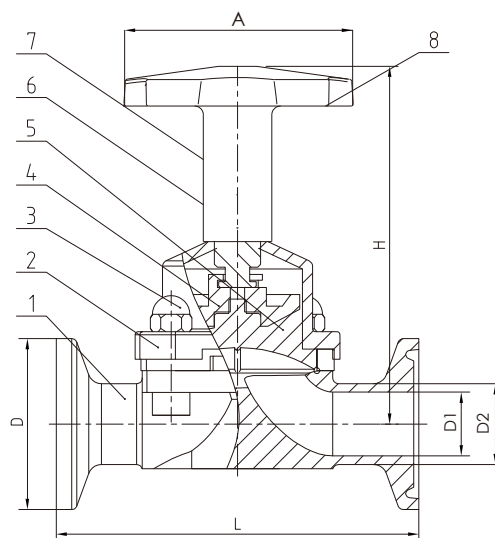
Clamp, Stainless Steel Handwheel
Sealing Material Comply to FDA177.1210/2600
Dimensions to DIN32676, 3A
Temperature Range: -20°C~150°C/-4°F~302°F



DV5653-C

Materials		
No.	Part	Specification
1	Body	ANSI 316L
2	Bonnet	ANSI 304/316L
3	Bonnet Nut	ANSI 304
4	Disc	ANSI 304/316L
5	Diaphragm	EPDM, EPDM+PTFE
6	Stem	ANSI 304
7	Opening Position Indicator	PA-6
8	Handwheel	ANSI 304

- * Single or double diaphragms are available.
- T-bodies, tank bottom bodies or multi-channel bodies can be selected on your request.



Dimensions (DIN/3A)						
Size/In	D DIN/3A	D1 DIN/3A	D2 DIN/3A	L DIN/3A	A DIN/3A	H
3/8	34/25.2	9/7.75	12	108/106	65	103
1/2	34/25.2	15/9.4	18/12.7	117/108	65	103
3/4	34/50.5	19/15.8	22/19.1	117	90/65	103
1	50.5	25/22.1	28/25.4	127	100/90	122
1 1/4	50.5	31/28.5	34/31.8	146	110	160
1 1/2	50.5	37/34.8	40/38.1	160	110	160
2	64	49/47.5	52/50.8	190	125	190
2 1/2	91/77.5	66/60.2	70/63.5	216	125	228
3	106/91	81/72.9	85/76.2	254/222.25	180	245

◆Please consult the factory for ISO and other standard sizes such as ASME BPE, BS4825, etc.